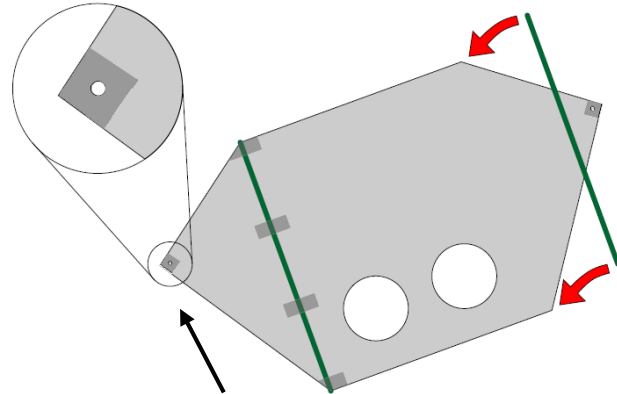


Making a Sled Kite

1

Cut off the bottom of the bin bag and spread out as a flat sheet of plastic. Use pen or thin marker to trace the shape of the sail and cut it out. Cut out the two holes if you are expecting a heavy wind.



2

Reinforce the two outside corners of the sail with sellotape and punch a hole for the bridle.

3

Lay the sail flat and fix the girders to the sail with bits of sellotape. Write a message or picture using thick felt pens.

4

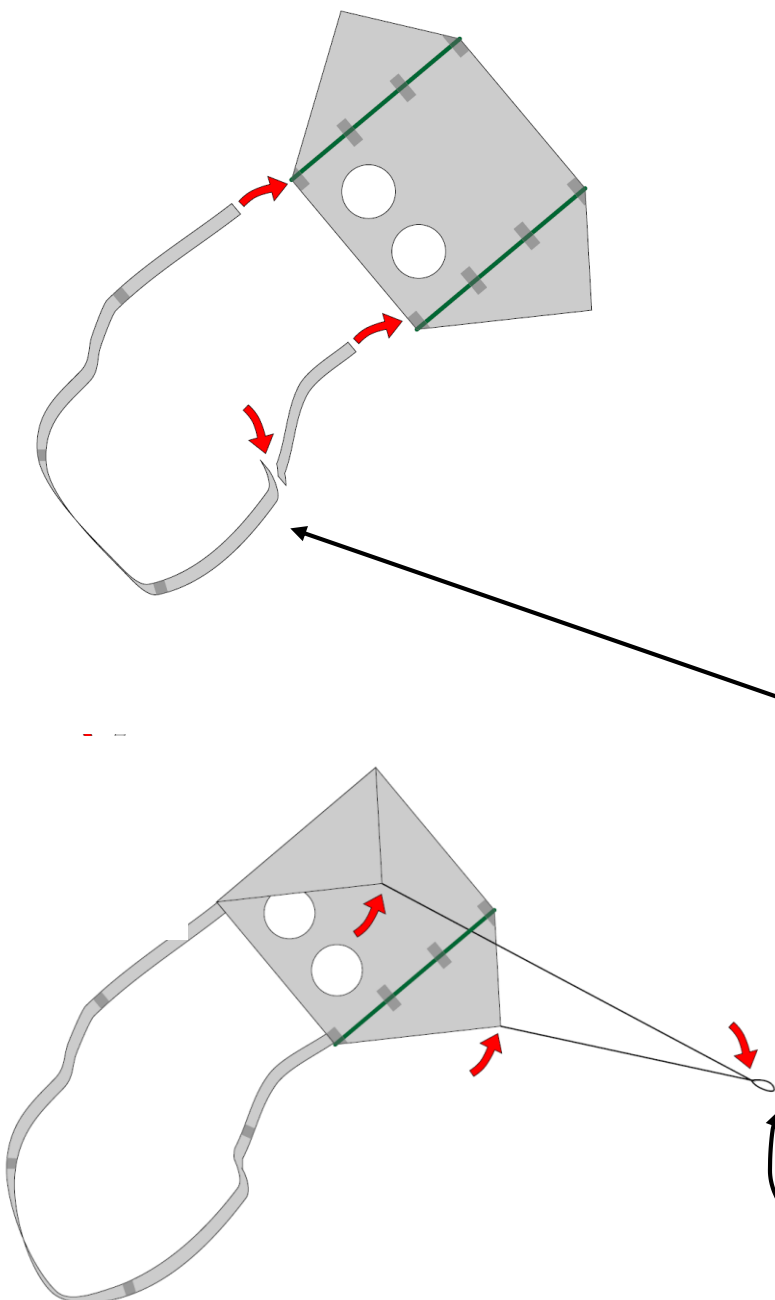
Cut strips from left over bits of bin bag and cellotape them together to make the tail. Sellotape the two ends of tail to bottom of girders.

5

Cut 2.4m of string to make the bridle and make a loop knot in the centre. Attach each end to holes you punched out earlier with a strong square knot.

6

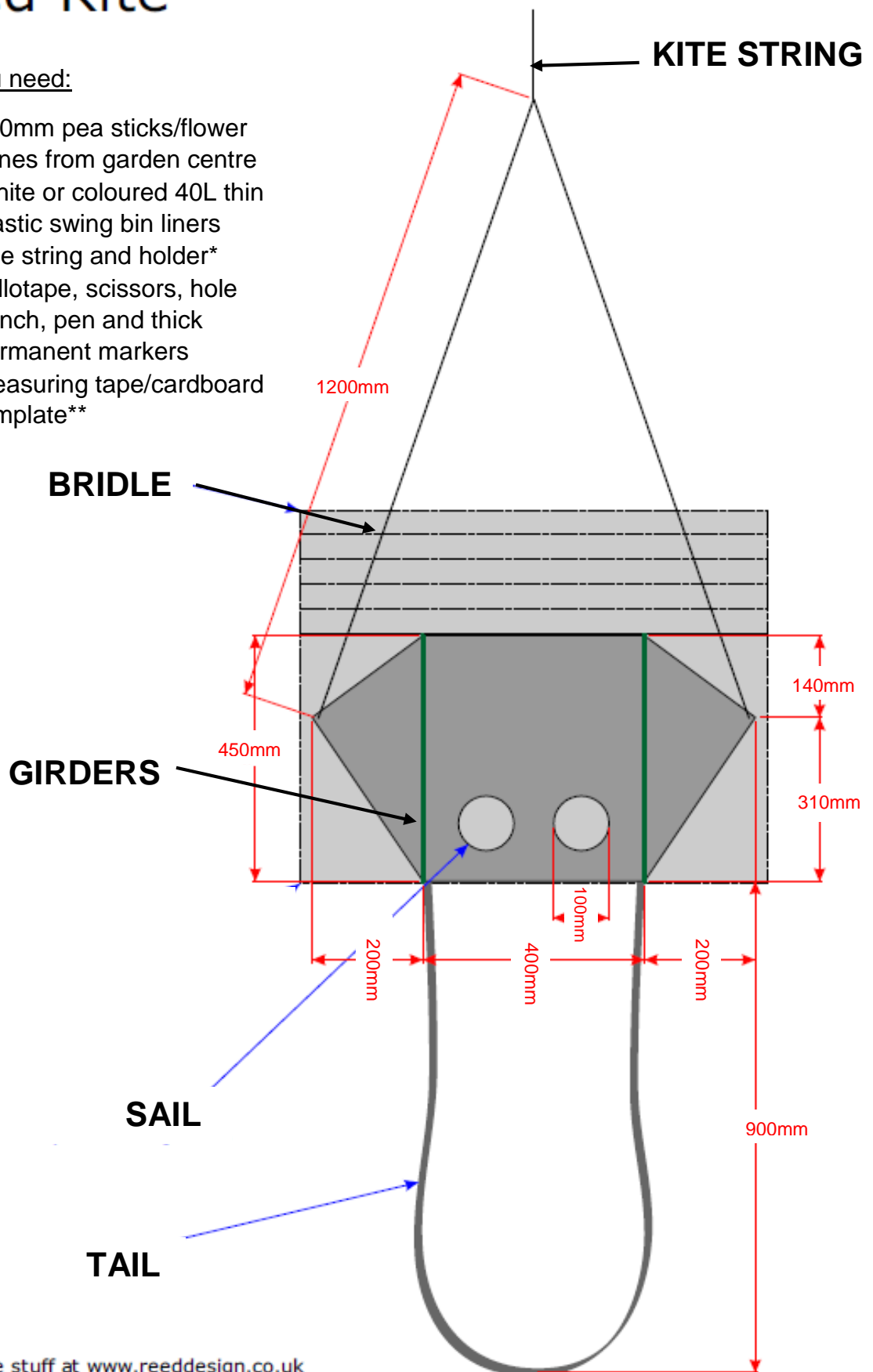
Tie the kite string strongly to the loop you made in the bridle (using a bowline knot if you can). Then fly your kite!



Sled Kite

What you need:

- 450mm pea sticks/flower canes from garden centre
- White or coloured 40L thin plastic swing bin liners
- Kite string and holder*
- sellotape, scissors, hole punch, pen and thick permanent markers
- measuring tape/cardboard template**



more kite stuff at www.reeddesign.co.uk

* household string wrapped around a stick will work, but much better to get kite line/string on handle - available at kite shops or from kiteworld.co.uk (£2.99)

** use measurements on this page to create a cardboard template for tracing